

ASSEMBLY INSTRUCTIONS

MODEL : OCKERO / TROMSO LEAF TABLE

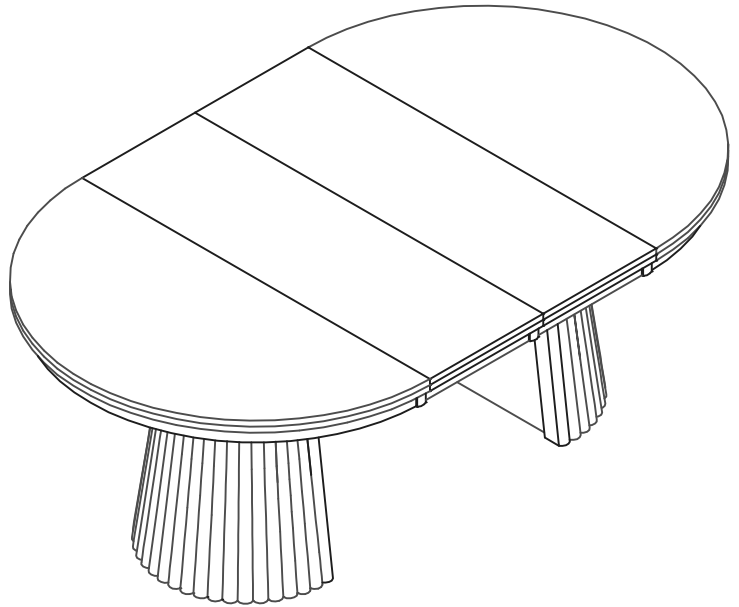
Before you begin, please follow assembly instructions carefully, then follow them step by step.

HARDWARE

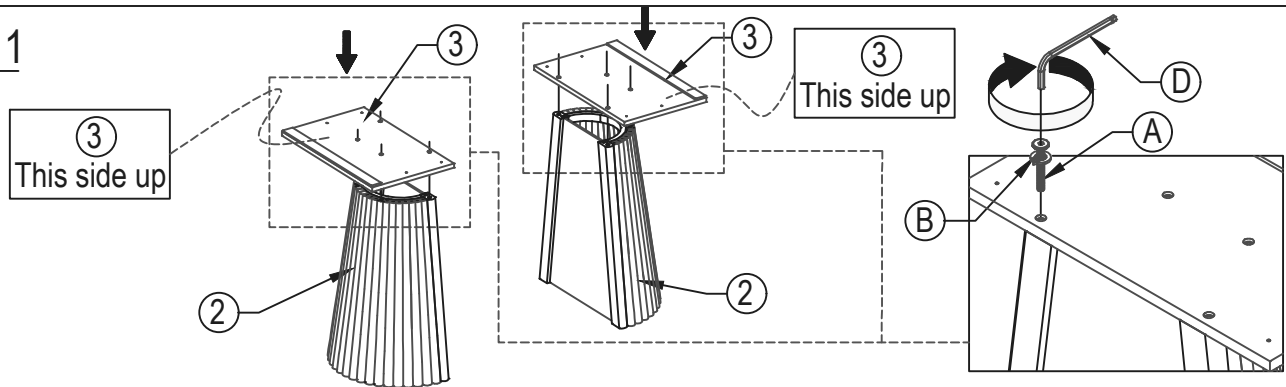
A	M6 X 40MM JCBC BOLT	8 PCS
B	SPRING WASHER WS6	8 PCS
C	PAN HEAD SCREW M4 X 30MM	14 PCS
D	ALLEN KEY M4	1 PC
E	ADJUST SCREW M6 X 16MM	8 PCS

PART LIST

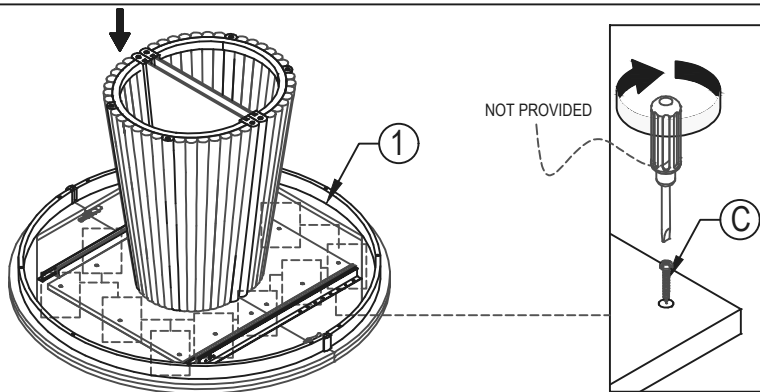
1	TOP PANEL	1 PC
2	TABLE LEG	2 PCS
3	TOP SUPPORT	2 PCS
4	LEAF TOP	2 PCS



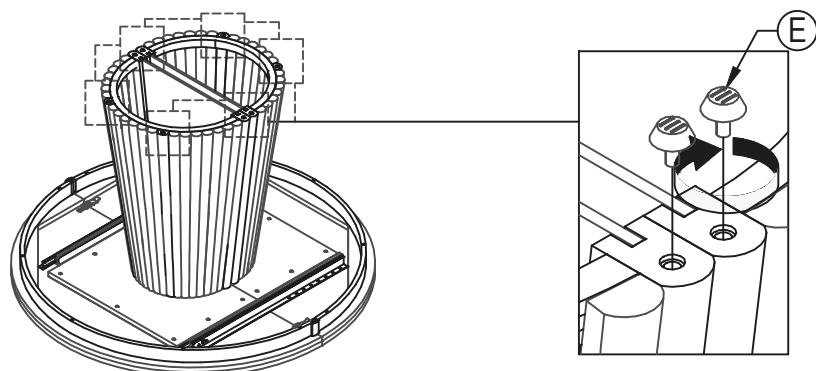
STEP 1



STEP 2



STEP 3



TO OPERATE

